



SAAB



AC-AC GYRO UNIT 8088 009-114 DUAL-AXIS

The mechanical gyro alternative. Based on our Fiber Optic technology which takes benefits of over 40 years of Saab experience in inertial sensors.

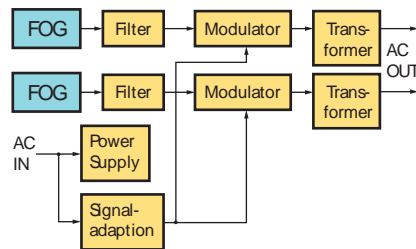
This family of Gyro Units is specifically designed as replacements to mechanical gyro units in a number of different military applications. They offer a very attractive solution based on fiber optic gyro technology that gives a number of benefits. The units are equipped with two Saab manufactured single axis Fiber Optic Gyros. They also include electronics to simulate the AC/AC function of a rate gyro based on mechanical gyros. The product is also available in single-axis configuration. Based on the technology developed for these units Saab could provide custom designed packages according to other mechanical outlines to provide a form, fit and function replacement to older designs based on mechanical gyros.

Applications:

- Gun stabilization
- Sight stabilization
- Antenna stabilization

Features:

- Solid state
- Wide bandwidth
- Very high shock survivability
- Very good bias stability
- Short start-up time
- Soundless operation



Company Background

Saab has been a producer of gyros of various designs for over 40 years. Production was initially intended for Saab designed aircraft sight and missile requirements.

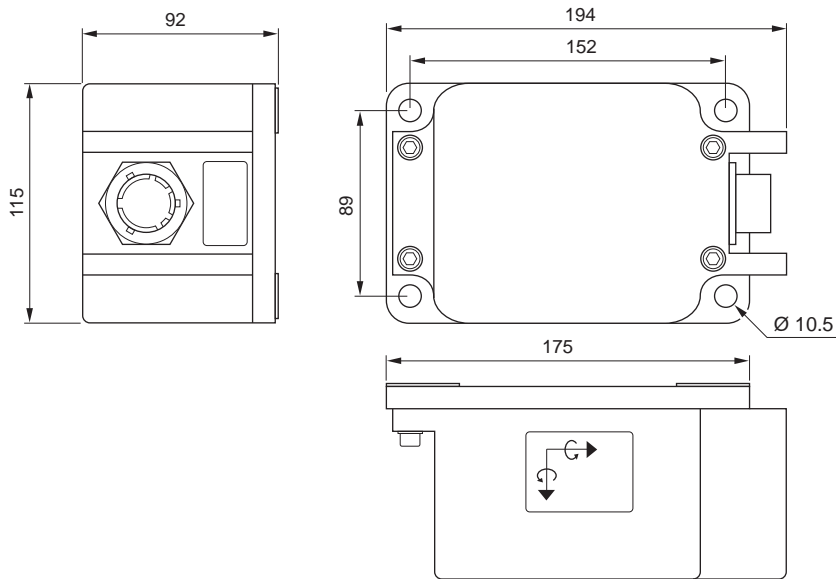
Since the end of 70's the gyro production have expanded into a product line of it's own including design and production of gyro products for worldwide customers. Up to the present time we have produced more than 40.000 sensors. Gyros based on FOG technology has been the main product since the end of 90's.



Mechanical Gyros.



DIMENSIONAL DRAWING FOG UNIT 8088 009-114



SPECIFICATION VERSION 8088 009-114

CHARACTERISTICS	UNIT	VALUE
Range	°/s	±60
Bias Over Temperature Range	°/h max	400
Bias stability 1	°/h max	50
Scale factor	mVAC/°/s	60
Scale factor error OTR	%	±2.0
Scale factor error OETR	%	±3.5
Non-linearity	%	±1.0
Start up time	s	1.0
Bandwidth	Hz	50–80
Axis misalignment	mrad max	8
Phase shift	° max	3
Output Load	k	10
Input voltage (Sine)	V RMS	26
Input power	W	10
Input frequency	Hz	400
ENVIRONMENTS		
Shock	g: msec	500 : 1
Vibration	g ² /Hz : Hz	0.09 : 20–2000
Operating Temperature Range OTR	°C	-10 – +71
Operating Extended Temperature Range OETR	°C	-30 – +71
Storage Temperature Range	°C	-40 – +75